

# ZOLA TABLES



Inspired by the French writer and his novel "Le Ventre de Paris" (The Belly of Paris) the Zola tables have the "rondeurs" that come with enjoying life to the full. Versatile, they can take a more fun or sophisticated look based on their surroundings.

#### OPTIONS:

Custom sizes are available. Castors options available on request. Please contact us for details.

#### MATERIALS & FINISHES:

Hardwood and plywood frame with high resilience and luxura foams. Plywood veneered top. On plastic glides. Upholstery: A range of upholstery is available

Plywood veneered top with a low sheen finish:



Black

Espresso

Hazelnut

Clear

#### DIMENSIONS:

##### Small table

dia: 530 x H: 450mm

##### Medium table

dia: 830x H: 400mm

##### Large table

dia: 1030 x H: 400mm

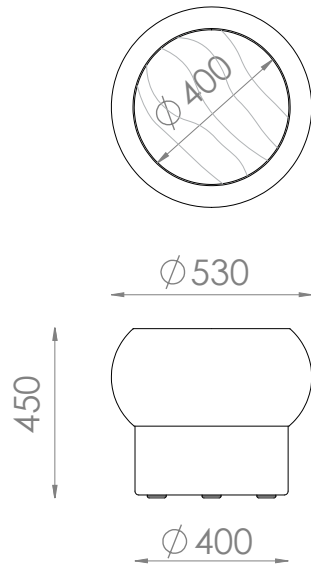
##### Extra Large table

dia: 1230 x H: 400mm

# ZOLA TABLES

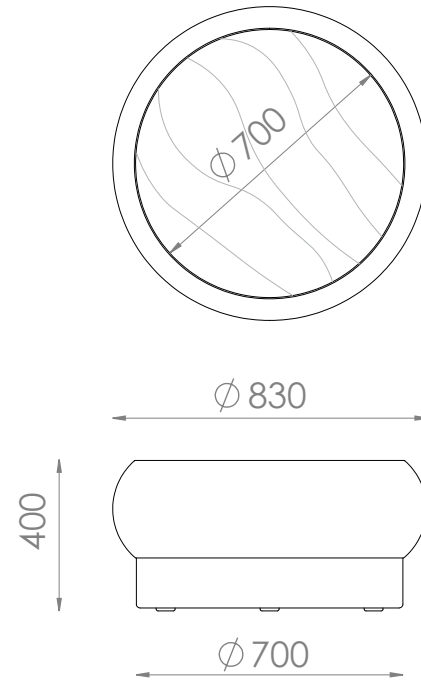
## Small table

dia: 530 x H: 450mm



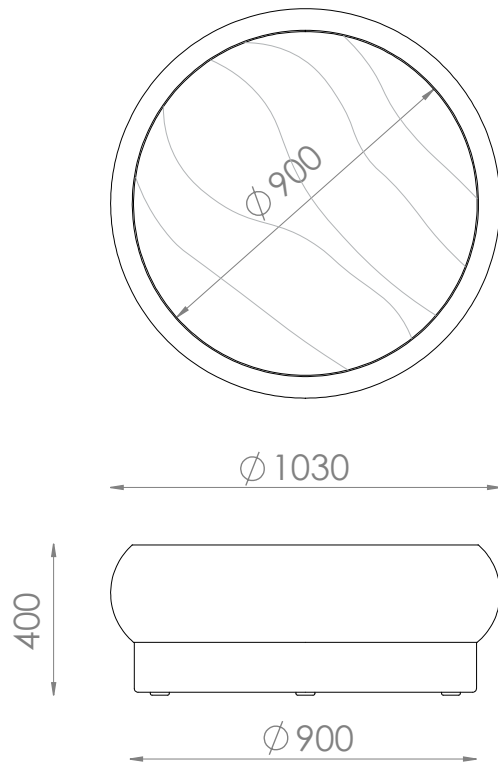
## Medium table

dia: 830x H: 400mm



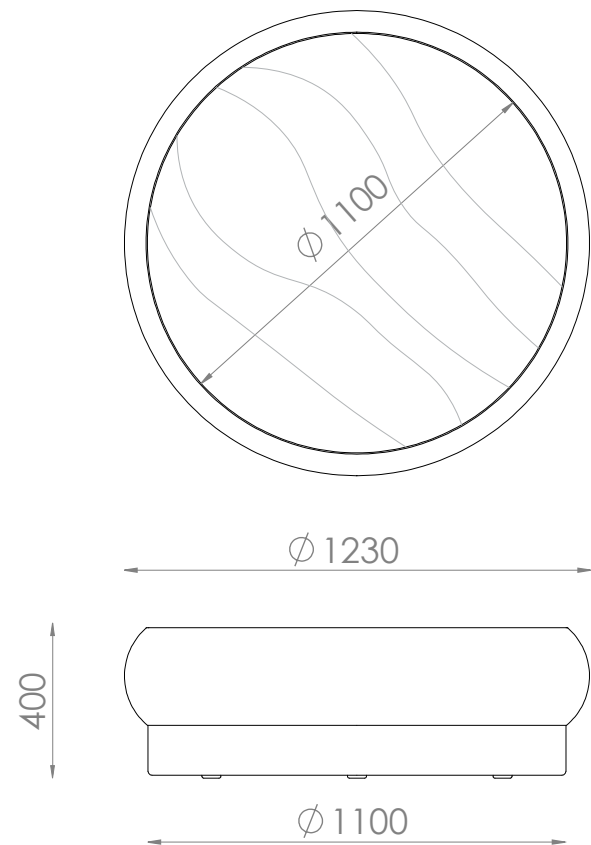
## Large table

dia: 1030 x H: 400mm



## Extra Large table

dia: 1230 x H: 400mm



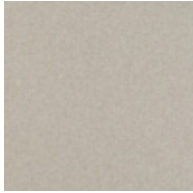
# ZOLA TABLES

## FABRIC SELECTION

### WOOL BLENDS

#### AUGUSTUS

Composition: 70% wool, 25% polyamide, 5% Acrylic



Birch



Pumice



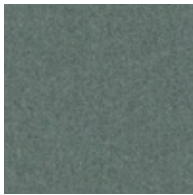
Zinc



Wolf



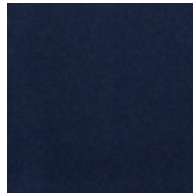
Armour



Seaglass



Ocean



Midnight

#### NATIVE

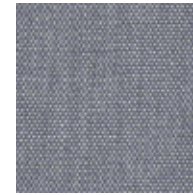
Composition: 90% Australian low pesticide EU-certified eco wool, 10% nylon



Silver Ash



Iron Bark



Habitat



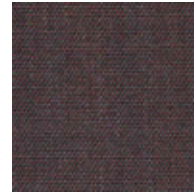
Coastline



Eucalyptus



Guide



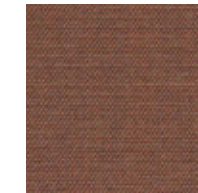
Art



Paperbark



Wattleseed



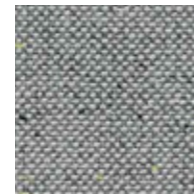
Red Ochre

#### CALIBRE

Composition: 82% Australian wool, 18% nylon



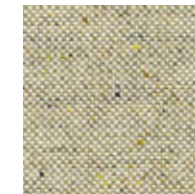
Dandy



Integrity



Esteem



Worth



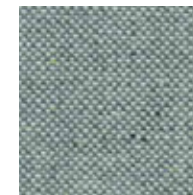
Distinction



Luminary



Ultimate



Opus

\*\* Custom fabrics or COM (customer's own materials) are available to trade only.

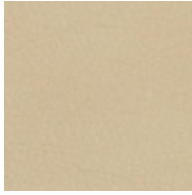
\*\* Some materials will have more stretch than others. Depending on your selection, the ottomans may have additional seams and a discreet zip.

# ZOLA TABLES

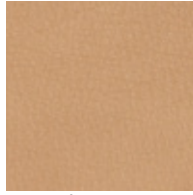
## LEATHER SELECTION

### LEATHER NATUR

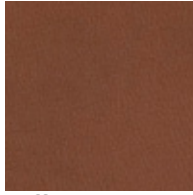
Type: Supple semi-aniline leather with a slight grain texture. Source: Italy



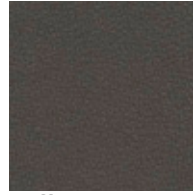
Stone



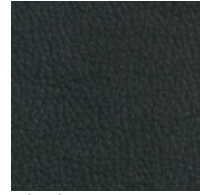
Camel



Toffee



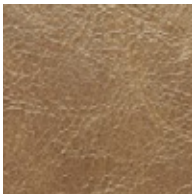
Coffee



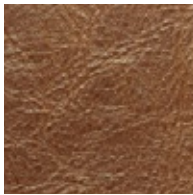
Black

### LEATHER ANTICO

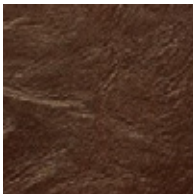
Type: Aniline with an aged Pull up effect. Source: Italy



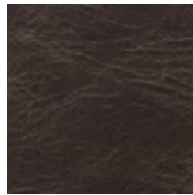
Torrone



Sella



Crosta



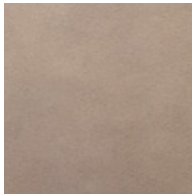
Fumo



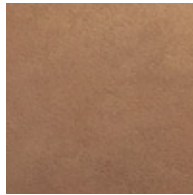
Nero

### LEATHER BRUSIO

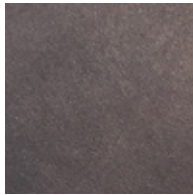
Type: Aniline leather with a distinctive matt appearance with a beeswax finish. Source: Italy



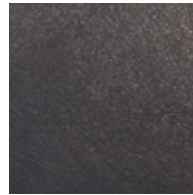
Cashew



Barley



Mocca



Nero



Fog

\*\* Custom fabrics or COM (customer's own materials) are available to trade only.

\*\* Some materials will have more stretch than others. Depending on your selection, the ottomans may have additional seams and a discreet zip.